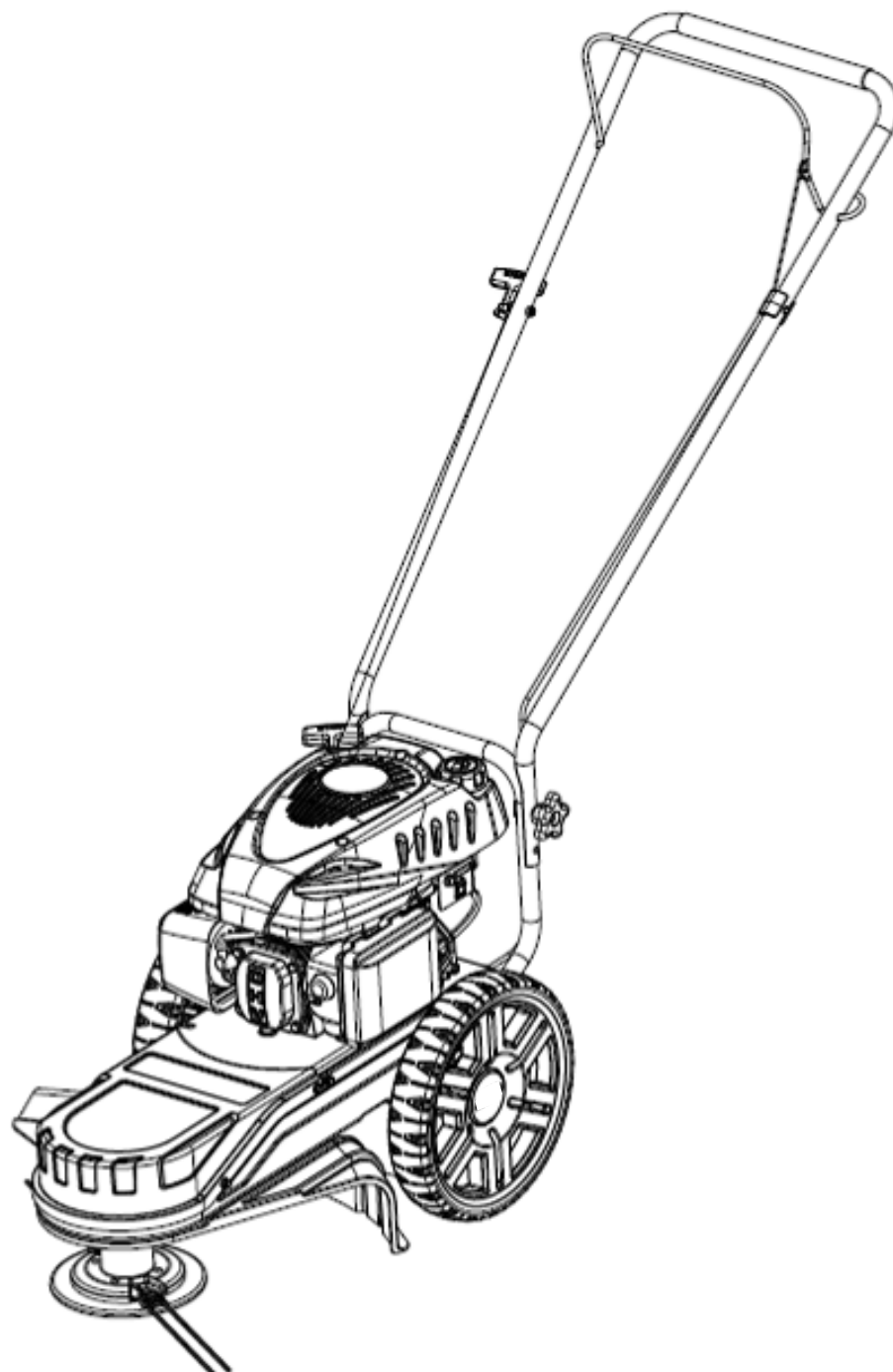




ILLUSTRATED PARTS BOOK

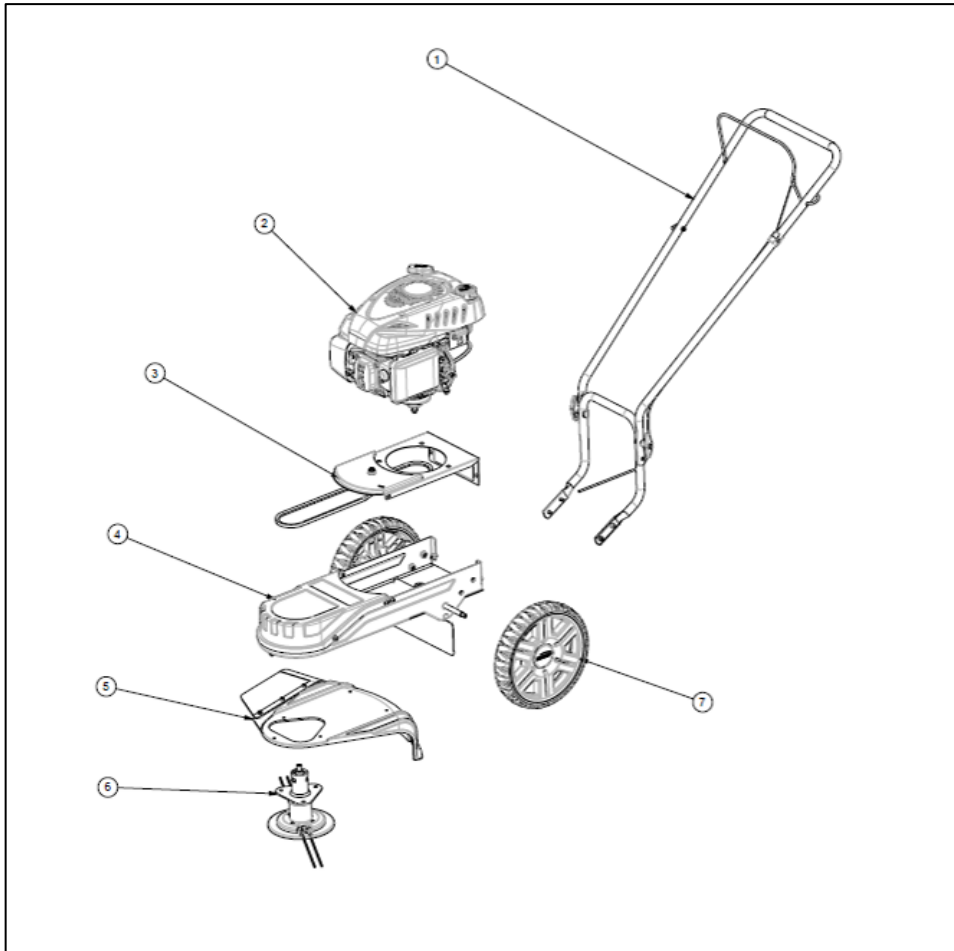
SWFT14022



## Table of Contents

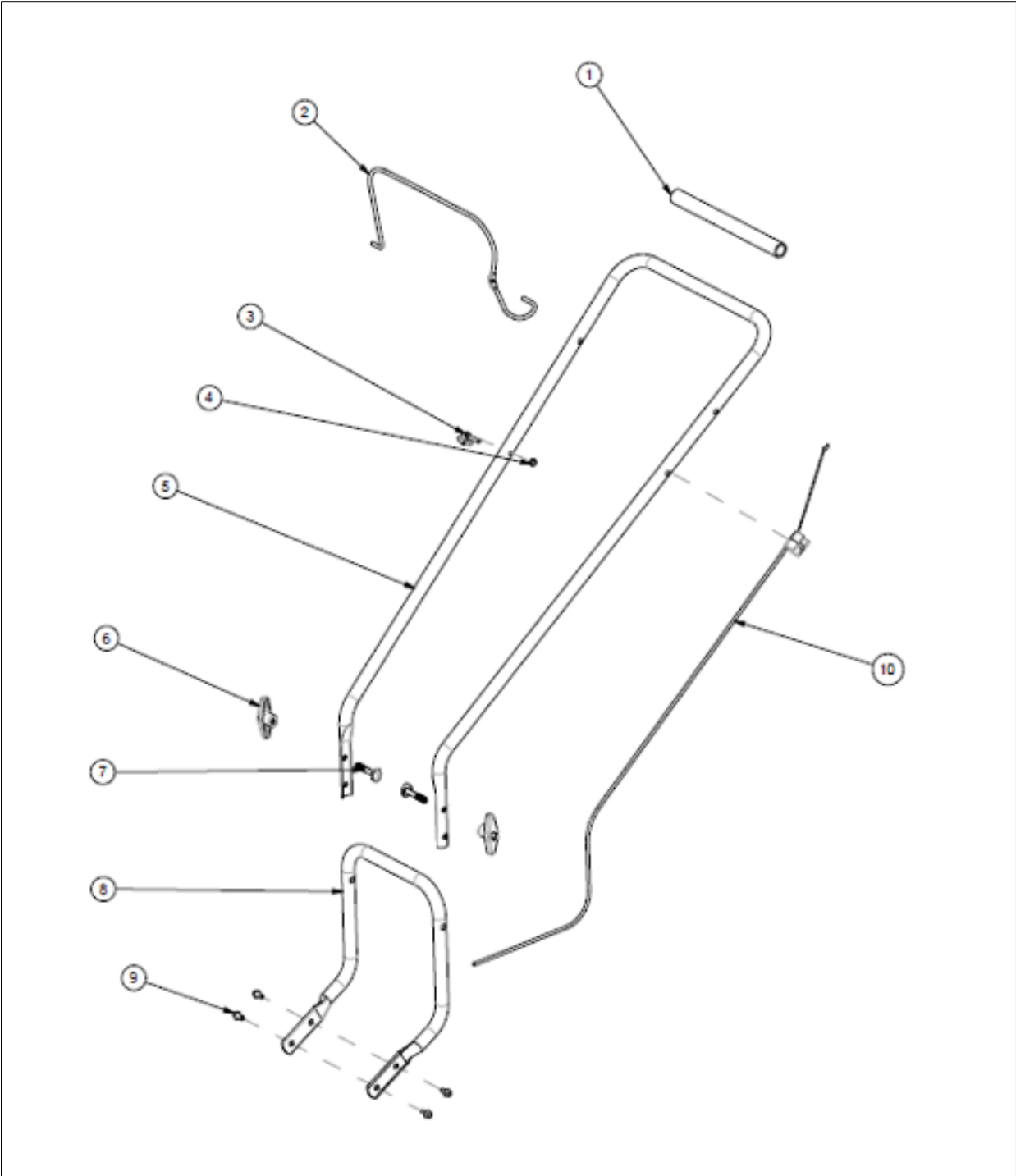
Top Level Assembly.....	2
Handle Assembly.....	3-4
Engine Assembly.....	5
Drive System.....	6
Frame Assembly.....	7
Shroud Assembly.....	8
Cutting Head Assembly.....	9-10
Wheel Assembly.....	11
<u>RV140 Engine EPA3 (A202223)</u>	
Cylinder Head.....	12
Short Block Assembly.....	13
Camshaft.....	14
Engine Shroud.....	15
Carburetor.....	16
Flywheel / Ignition.....	17
Air Cleaner.....	18
Control.....	19
Muffler.....	20
Fuel Tank.....	21
Engine Decals.....	22
Frame Decals.....	23

# Top Level Assembly



REF. NO.	Description	Page	RQD
1	Handle Assembly	See Page 3-4	1
2	Engine Assembly	See Page 5	1
3	Drive System	See Page 6	1
4	Frame Assembly	See Page 7	1
5	Shroud Assembly	See Page 8	1
6	Cutting Head Assembly	See Page 9-10	1
7	Wheel Assembly	See Page 11	2
-	Engine Breakdown	See Page 12-21	1
-	Decals	See Page 22-23	1

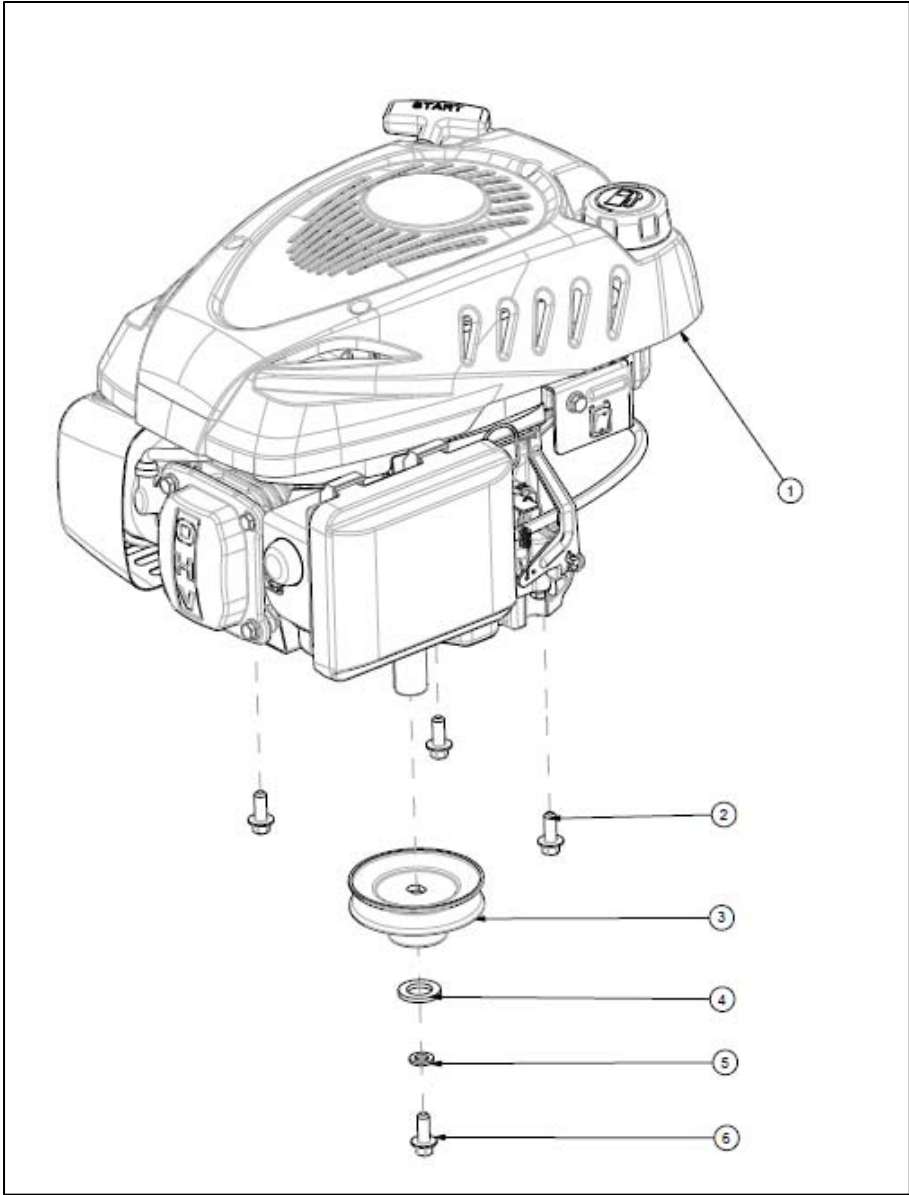
# Handle Assembly



## Handle Assembly

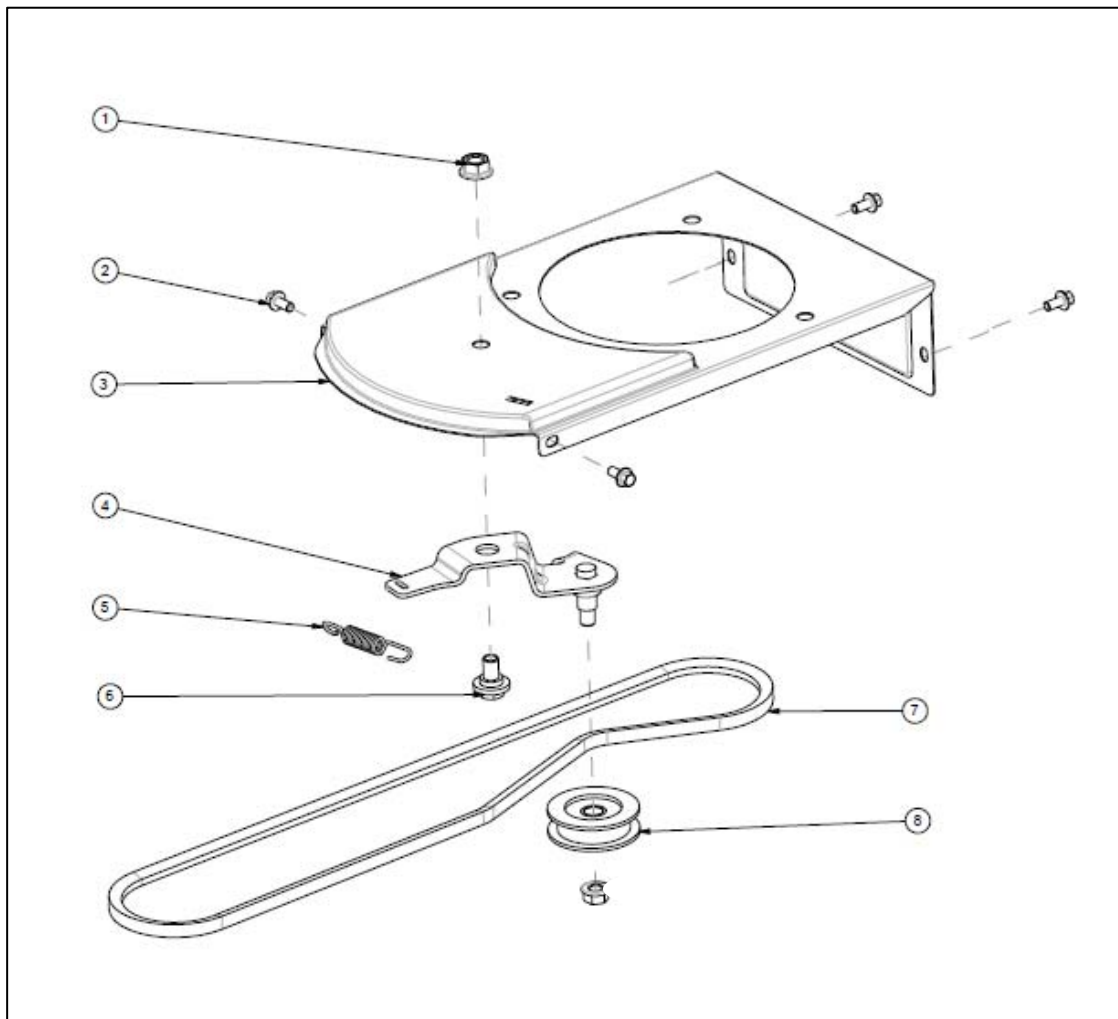
REF. NO.	Description	PART NO.	RQD
1	Foam, Handle	A201940	1
2	Bail, Engagement	A201385	1
3	Guide, Rope	A100521	1
4	¼-20, Nylon Lock Nut, Black Oxide, Grade 8	Reference Only	1
5	Handle, Upper	A201028	1
6	Knob, Handle Bar	A200190	2
7	Bolt, Handle Bar	A202629	2
8	Handle, Lower	A201027	1
9	5/16-18x0.75, Hex Serrated Flange, Thread forming Tapping Screw, Type AB Point, Black Oxide, Grade 8.8	A202424	4
10	Cable, Engagement	A201945	1

# Engine Assembly (Engine Breakdown Pg 12-21)



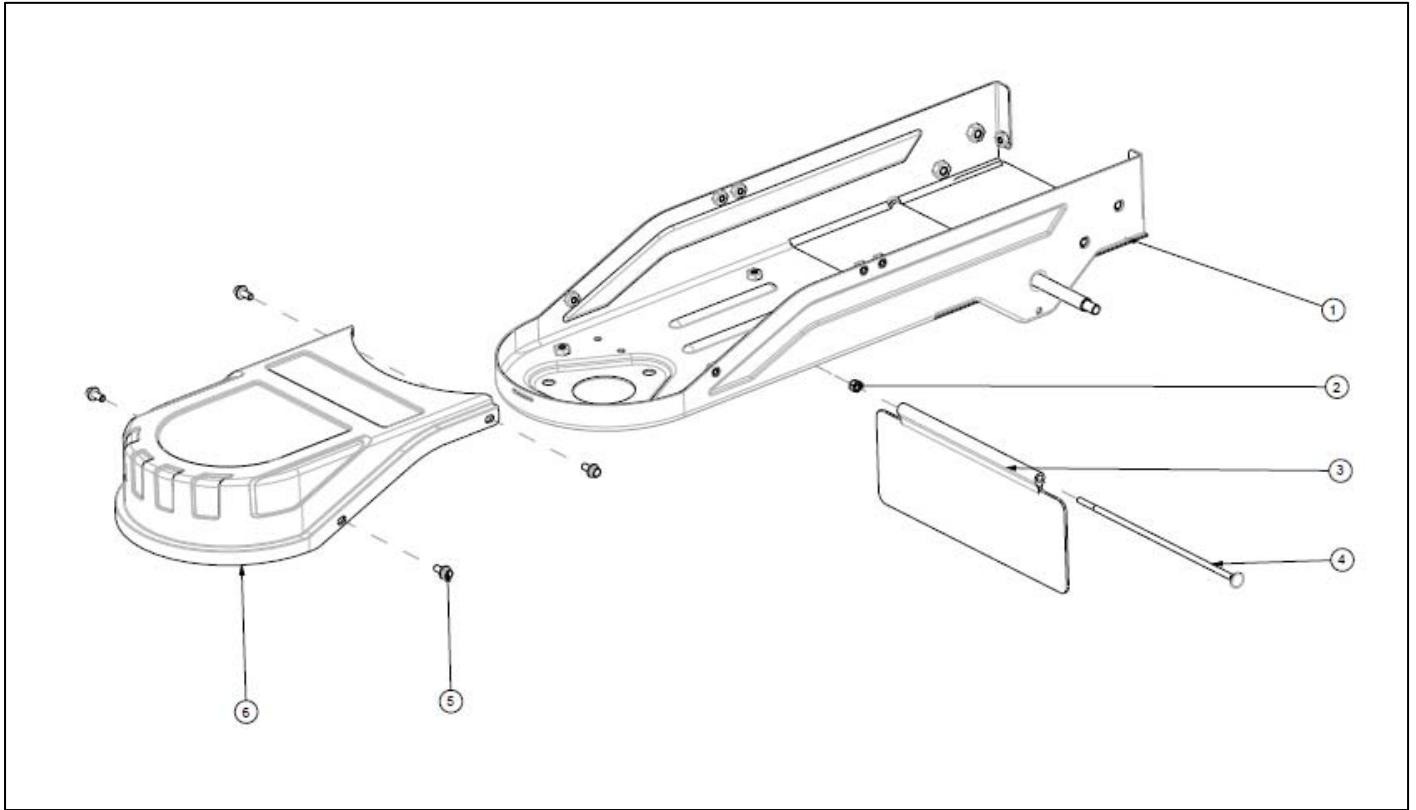
REF. NO.	Description	PART NO.	RQD
1	Engine, RV140 – EPA3	A202223	1
2	3/8-16x25, Hex Flange Head, Tri-lobular, Thread Forming Screw, Black Oxide, Grade 8.8	A202426	3
3	Pulley, Engine	A202423	1
4	10x32x3.0, Flat Washer, Zinc	Reference Only	1
5	M10 Lock Washer, Zinc	Reference Only	1
6	3/8-24x1.0, Hex Head Cap Screw, Black Oxide, Grade 10.9	A202427	1

# Drive System



REF. NO.	Description	PART NO.	RQD
1	M10x1.5, Hex Flange Lock Nut, Zinc, Grade 8	Reference Only	2
2	M6x1.0x16, Cross-Recessed, Round Neck Machine Screw, Zinc, Grade 8.8	Reference Only	4
3	Plate, Inspection - Southland	A202490	1
4	Weldment, Idler Bracket	A201948	1
5	Spring, Idler Tension	A202622	1
6	M10x1.25x15, Hex Flange Head W/ Shoulder (diam.15x30), Zinc, Grade 8.8	A201924	1
7	Belt, Drive – 9.5x1160	A201921	1
8	Pulley ASM, Idler	A100565	1

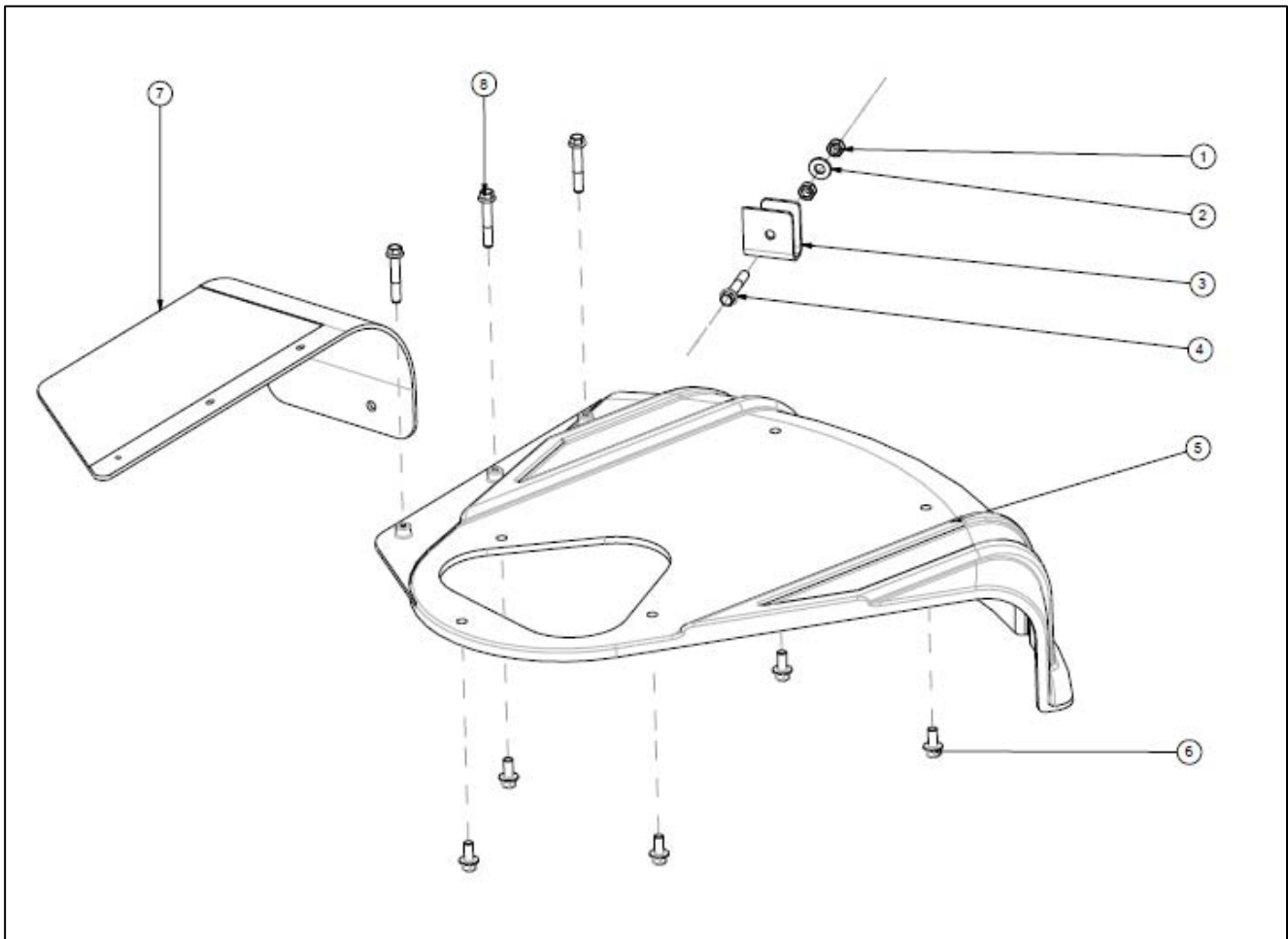
# Frame Assembly



REF. NO.	Description	PART NO.	RQD
1	Frame, Weldment - Southland	A202489	1
2	M6x1.0, Nylon Lock Nut, Zinc, Grade 8	Reference Only	1
3	Flap, Guard	A201025	1
4	Post, Flap Mount	A201024	1
5	M6x1.0x16, Cross-Recessed, Round Neck Machine Screw, Zinc, Grade 8.8	Reference Only	4
6	Cover, Base	A201029	1

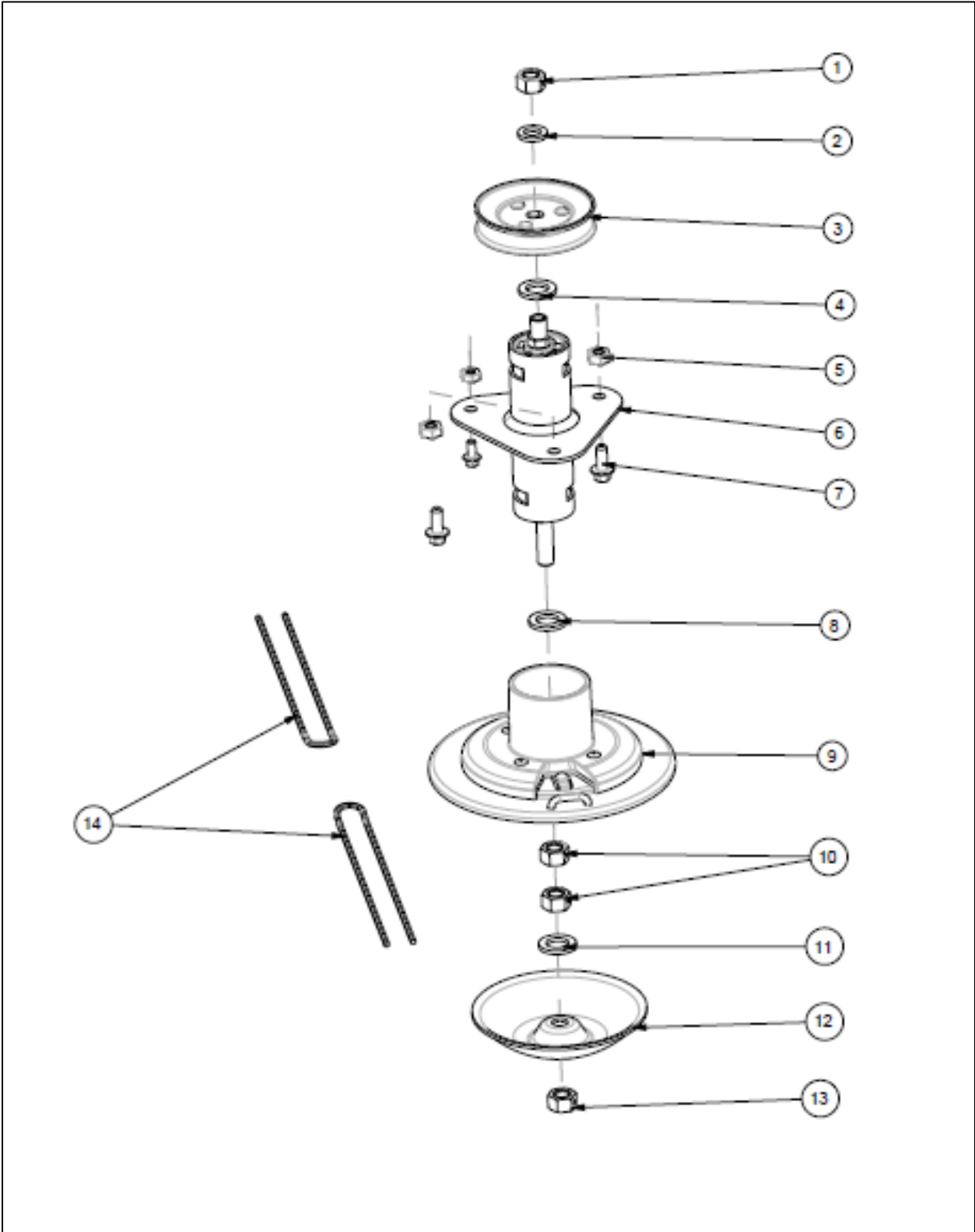


# Shroud Assembly



REF. NO.	Description	PART NO.	RQD
1	M6x1.0, Nylon Lock Nut, Zinc, Grade 8	Reference Only	2
2	M6x3.0 Flat Washer, Zinc	Reference Only	1
3	Blade, Line Cutting	A201910	1
4	M6x1.0x35, Hex Flange Head, Zinc, Grade 8.8	Reference Only	1
5	Shroud, Safety	A201026	1
6	M6x1.0x16, Cross-Recessed, Round Neck, Machine Screw, Zinc, Grade 8.8	Reference Only	5
7	Guard, Discharge	A202422	1
8	No. 10-16x0.5, Cross-Recessed Hex Flange, Thread Cutting Tapping Screw, Black Oxide, Grade 8.8	Reference Only	3

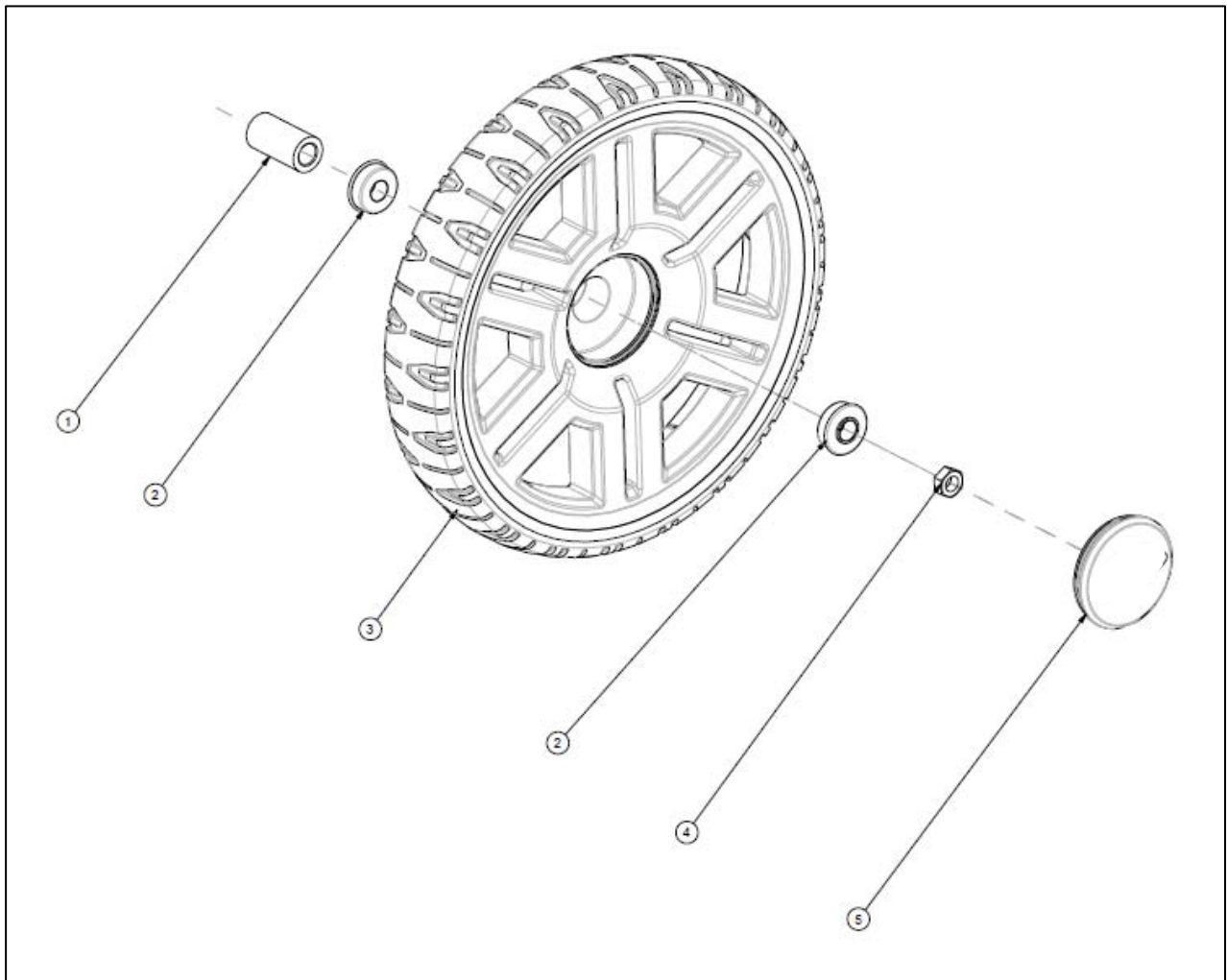
# Cutting Head Assembly



## Cutting Head Assembly

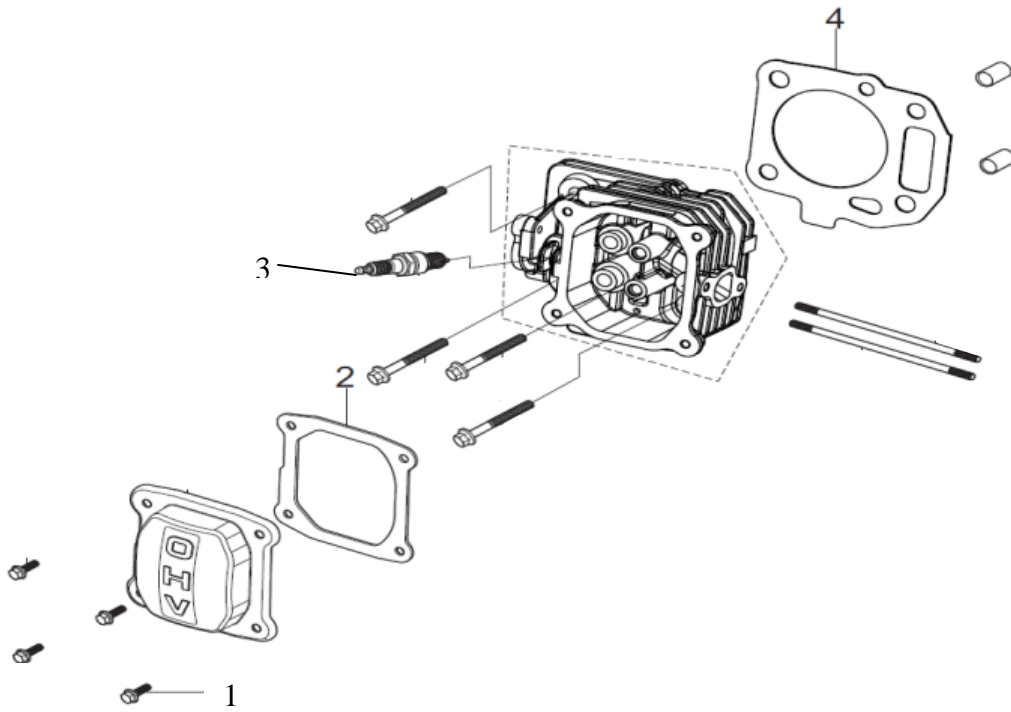
REF. NO.	Description	PART NO.	RQD
1	M12x1.25, Hex Lock Nut, Zinc, Grade 8	Reference Only	1
2	16.8x32x3.0 Flat Washer, Zinc	Reference Only	1
3	Pulley, Cutting Head	A203089	1
4	16.8x32x3.0 Flat Washer, Zinc	Reference Only	1
5	M10x1.5 Hex Lock Nut, Zinc, Grade 8	Reference Only	3
6	ASM, Cutter Head Tube	A200207	1
7	M10x1.5x20, Hex Flange Bolt, Zinc, Grade 8.8	Reference Only	3
8	M12 Flat Washer, Zinc	Reference Only	1
9	ASM, Cutter Head - Southland	A202488	1
10	M12x1.25, Hex Lock Nut, Zinc, Grade 8	Reference Only	2
11	M12 Flat Washer, Zinc	Reference Only	1
12	Bowl, Cutter Head	A200206	1
13	M12x1.25, Hex Lock Nut, Zinc, Grade 8	Reference Only	1
14	Line, Trimmer (0.155")	Reference Only	2

# Wheel Assembly



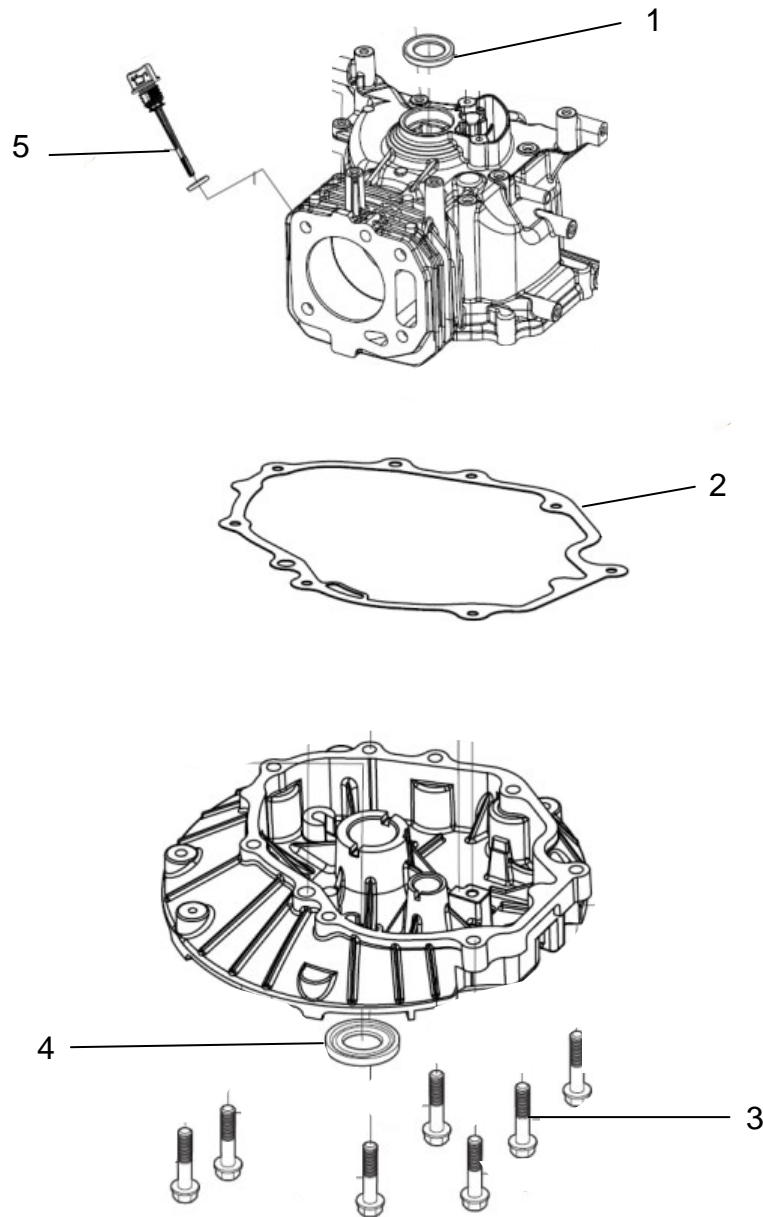
REF. NO.	NAME	PART NO.	RQD
1	Spacer, Wheel	A201023	2
2	Bearing, Wheel	A100560	4
3	ASM, 12" Wheel, 6 Spoke	A201387	2
4	M10x1.5 Flange Lock Nut, Zinc, Grade 8	Reference Only	2
5	Hubcap, 12" Wheel - Southland	A202487	2

# Cylinder Head



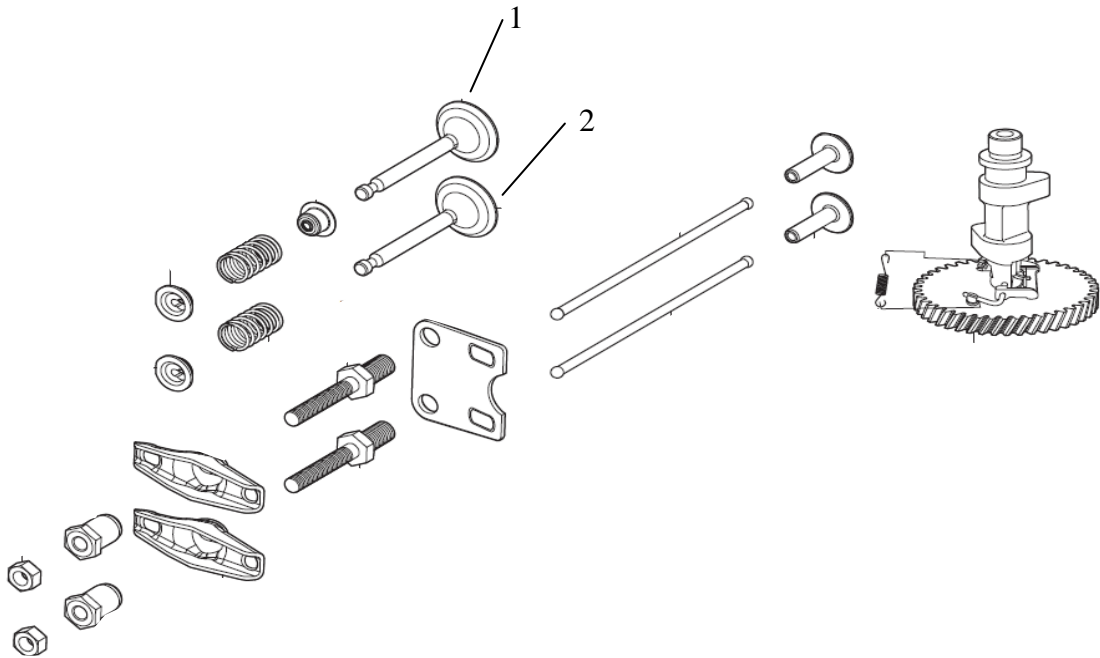
REF. NO.	DESCRIPTION	PART NO.	RQD
1	M6x1.0x12, Hex Flange Bolt, Zinc, Grade 8.8	Reference Only	4
2	Gasket, Cylinder Head Cover	A201567	1
3	Plug, Spark (Torch F7TC, NGK BPGES, Champion RN9YC4)	A201233	1
4	Gasket, Cylinder Head	A201569	1

# Short Block Assembly



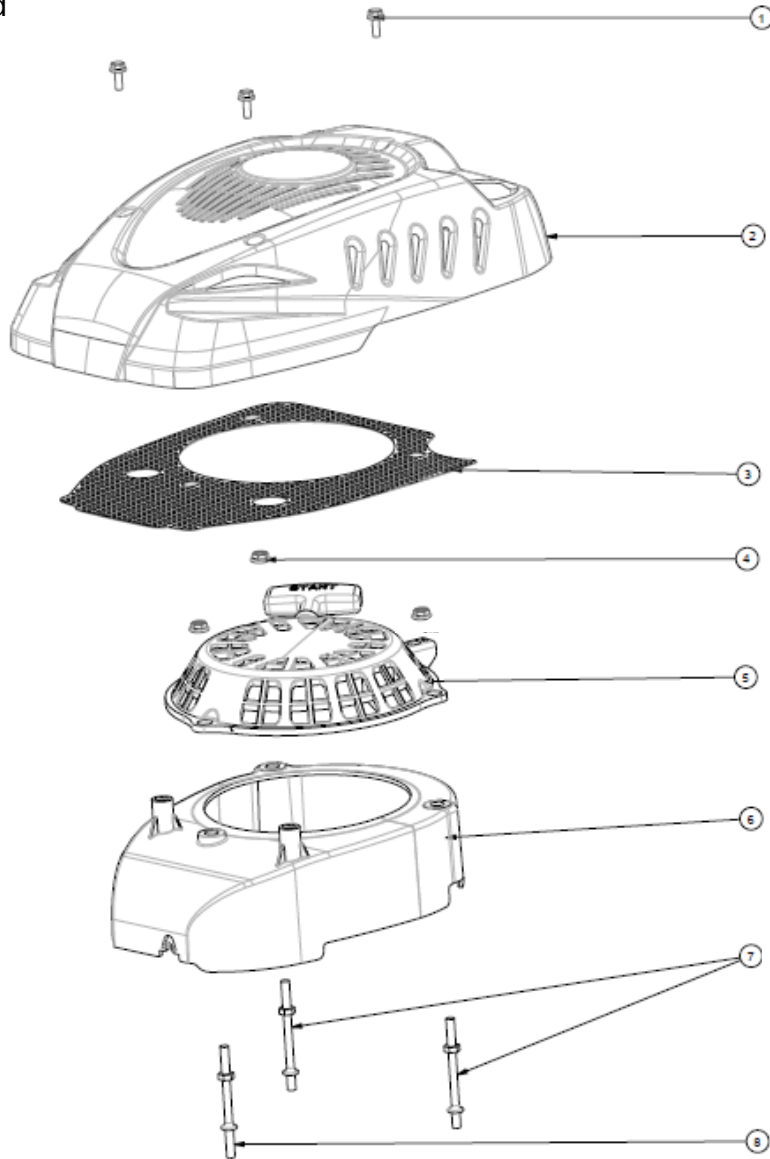
REF. NO.	DESCRIPTION	PART NO.	RQD
1	Seal, Oil	A201581	1
2	Gasket, Crankcase	A201592	1
3	M6x1.0x27, Hex Flange Bolt, Zinc, Grade 8.8	Reference Only	7
4	Seal, Oil	A201599	1
5	Sub Assembly, Oil Dipstick	A201577	1

# Camshaft



REF. NO.	DESCRIPTION	PART NO.	RQD
1	Valve, Intake	A201627	1
2	Valve, Exhaust	A201633	1

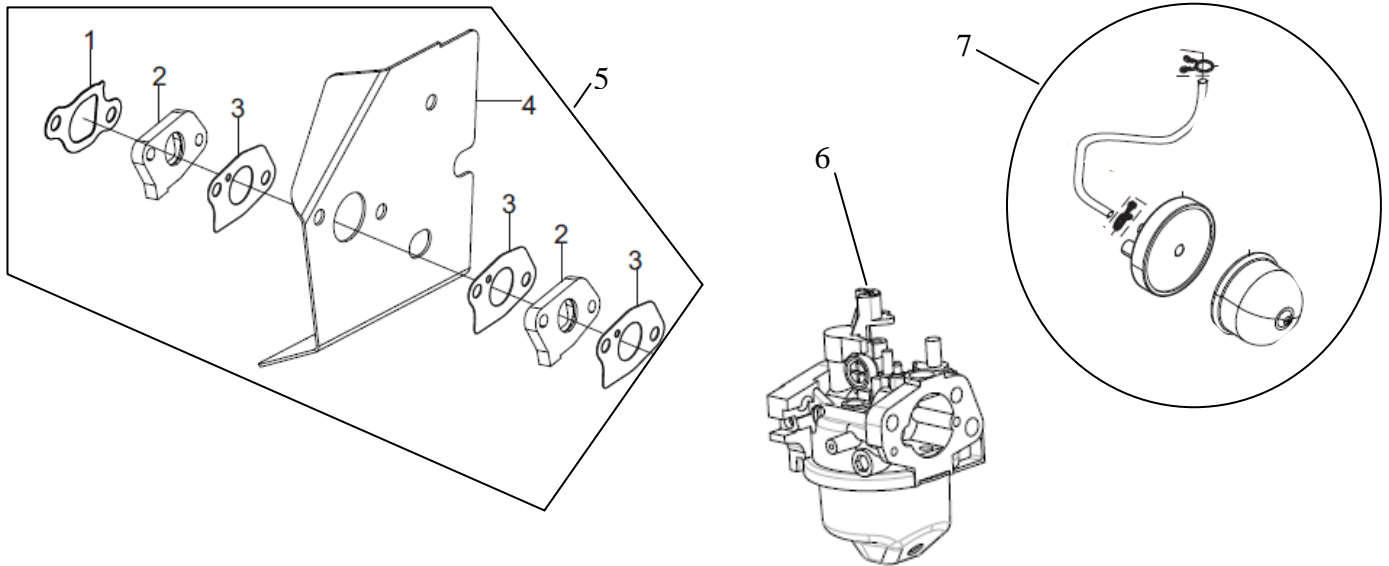
# Engine Shroud



REF. NO.	DESCRIPTION	PART NO.	RQD
1	Bolt, Housing	A201637	3
2	Shroud, Engine (Without Brand Decals)	A203032	1
3	Shroud, Debris	A202476	1
4	M6x1.0 Hex Flange Nut, Zinc, Grade 8	Reference Only	3
5	ASM, Recoil Starter	A201653	1
6	Shroud, Recoil ASM	A201636	1
7	Stud, Recoil Shroud – 1	A201638	2
8	Stud, Recoil Shroud – 2	A201639	1

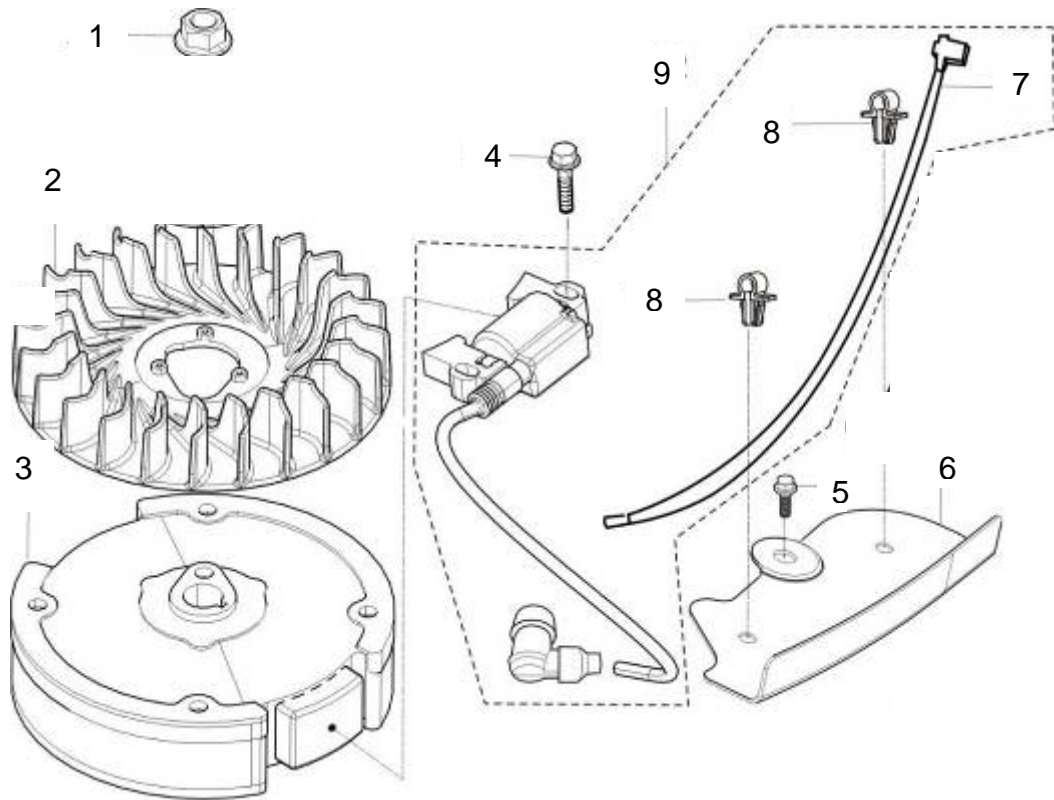


# Carburetor



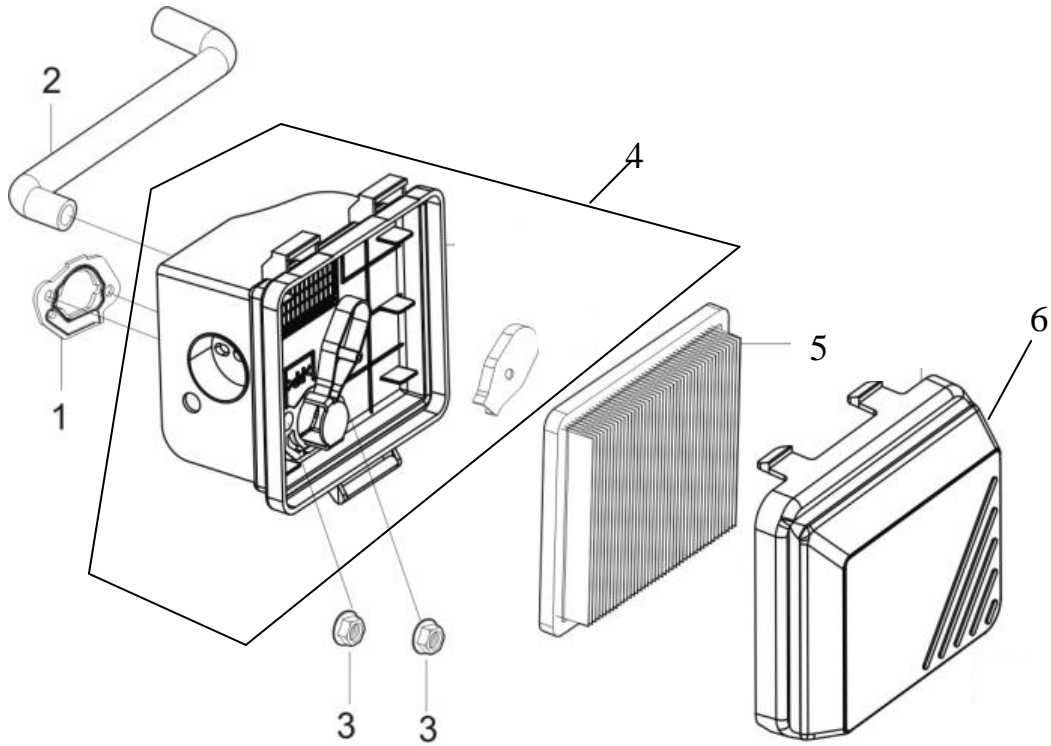
REF. NO.	DESCRIPTION	PART NO.	RQD
1	Gasket, Insulator	<i>Reference Only</i>	1
2	Spacer, Gasket	<i>Reference Only</i>	2
3	Gasket, Carburetor	<i>Reference Only</i>	3
4	Heat Shield, Carburetor	<i>Reference Only</i>	1
5	Kit, Carburetor Gasket (Incl. #1-4)	A201659	1
6	ASM, Carburetor	A201658	1
7	ASM, Primer Bulb	A201683	1

## Flywheel / Ignition



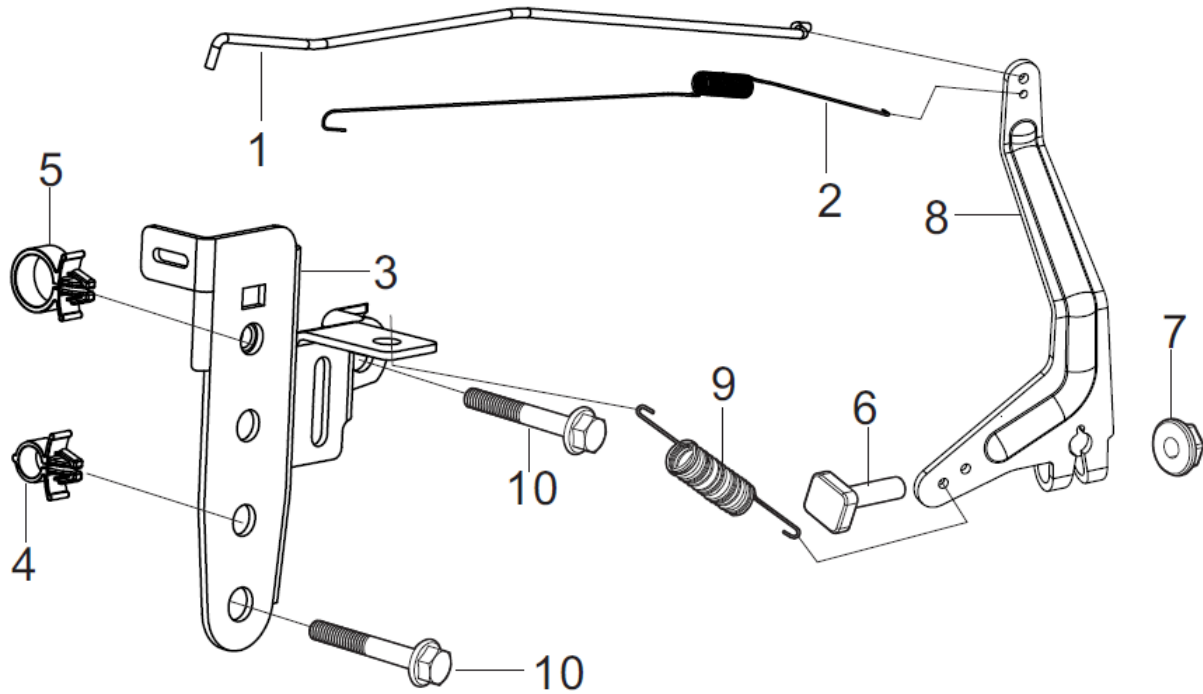
REF. NO.	DESCRIPTION	PART NO.	QTY
1	Nut, Flywheel	A201685	1
2	Fan, Flywheel	A201686	1
3	Flywheel	A201687	1
4	Bolt, Flange	A201688	2
5	Bolt, Crankcase Shield	A201689	1
6	Shield, Crankcase Side	A201690	1
7	Lead, Low Tension	A201693	1
8	Clip, Wire	A201694	2
9	Coil, Ignition	A201695	1

# Air Cleaner



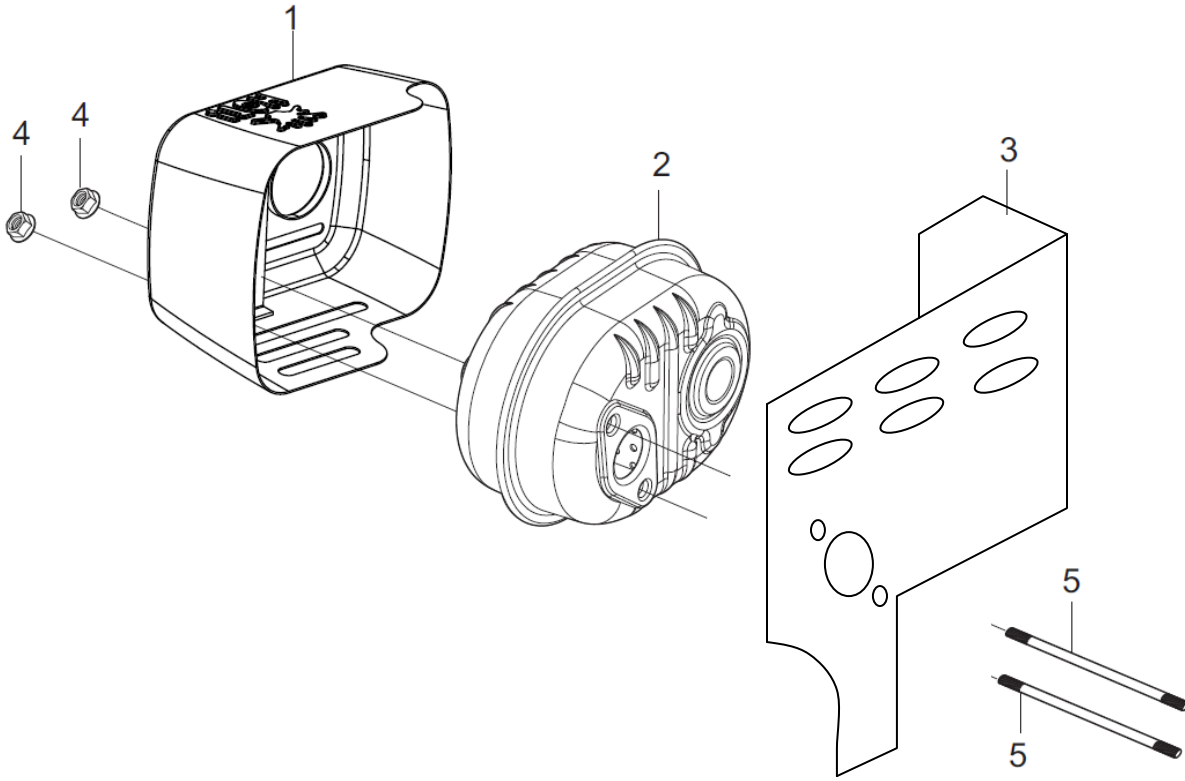
REF. NO.	DESCRIPTION	PART NO.	RQD
1	Gasket, Air Filter	A201696	1
2	Tube, Breather	A201697	1
3	M6x1.0 Flange Nut, Zinc, Grade 8	<i>Reference Only</i>	2
4	Kit, Air Filter Housing	A201763	1
5	Element, Filter	A201700	1
6	Cover, Air Filter	A201764	1

# Control



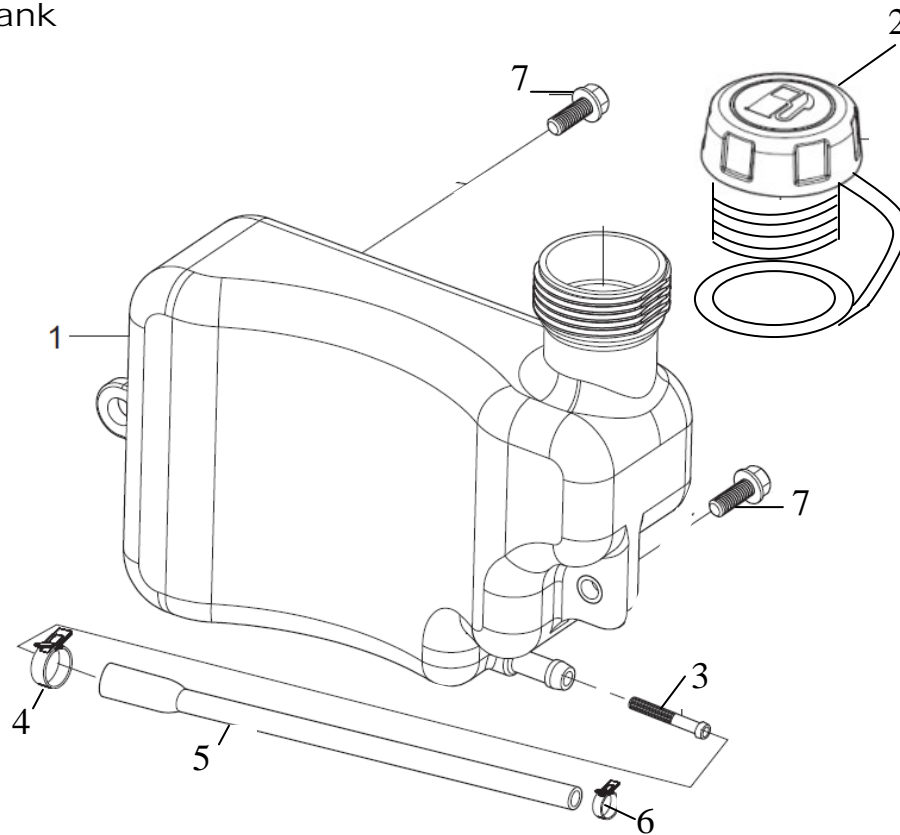
REF. NO.	DESCRIPTION	PART NO.	RQD
1	Rod, Governor	A201702	1
2	Spring, Throttle Return	A201703	1
3	Bracket, Throttle Control	<i>Reference Only</i>	1
4	Clip – 1	<i>Reference Only</i>	1
5	Clip – 2	<i>Reference Only</i>	1
6	Bolt, Governor Arm	<i>Reference Only</i>	1
7	Nut, Governor	<i>Reference Only</i>	1
8	Arm, Governor	<i>Reference Only</i>	1
9	Spring, Governor	A201710	1
10	M6x1.0x12 Hex Flange Bolt, Zinc, Grade 8.8	<i>Reference Only</i>	2

Muffler



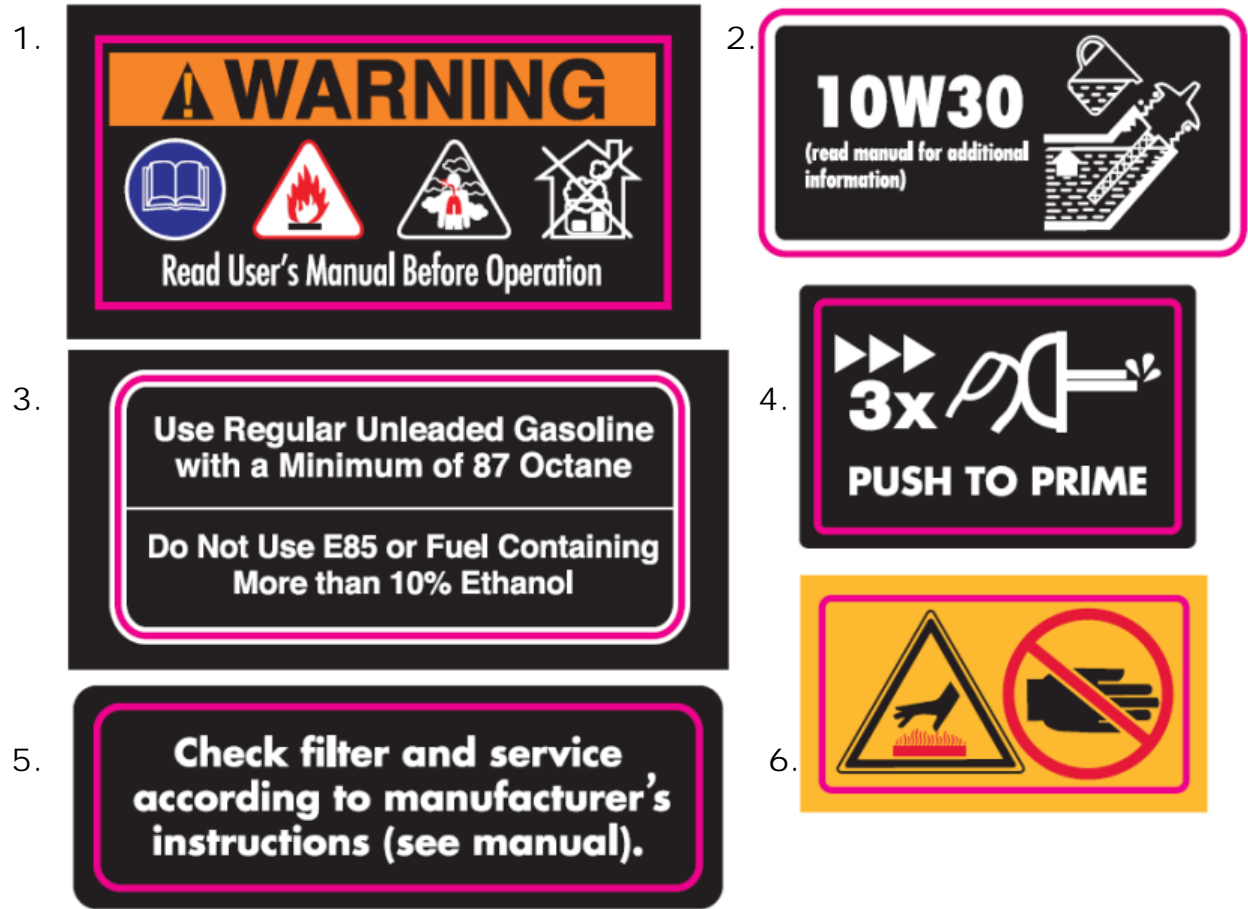
REF. NO.	DESCRIPTION	PART NO.	RQD
1	Shield, Muffler	A201712	1
2	ASM, Muffler	A201713	1
3	Gasket, Muffler	A202481	1
4	M6x1.0 Hex Flange Nut, Zinc, Grade 8	<i>Reference Only</i>	2
5	Stud, Muffler	A201716	2

# Fuel Tank



REF. NO.	DESCRIPTION	PART NO.	RQD
1	Tank, Fuel	A201717	1
2	Cap, Fuel – EPA3	A202482	1
3	Filter, Fuel	<i>Reference Only</i>	1
4	Clamp, Fuel Line – 1	<i>Reference Only</i>	1
5	Line, Fuel	A201724	1
6	Clamp, Fuel Line – 2	<i>Reference Only</i>	1
7	M6x1.0x14 Hex Flange Head Bolt, Zinc, Grade 8.8	<i>Reference Only</i>	2

## Engine Decals



REF. NO.	DESCRIPTION	PART NO.	RQD
1	Decal, Warning-Owner's Manual	<b>A202483</b> (Includes 1 each of all decals shown above)	1
2	Decal, Oil Fill		1
3	Decal, Fuel Usage		1
4	Decal, Primer		1
5	Decal, Air Filter Maintenance		1
6	Decal, Hot Surface Warning		1

## Frame Decals

1.  A rectangular red decal with a white border. It features the Southland logo (a stylized 'S' in a square) on the left, followed by the word 'SOUTHLAND' in large white letters with a registered trademark symbol. Below that, 'FIELD TRIMMER' is written in smaller white letters. At the bottom, there is a line of small white text: 'TWO YEAR LIMITED WARRANTY / GARANTEE LIMITEE DE DEUX ANS / GARANTIA LIMITADA DE DOS AÑOS'. The part number 'SWPT14022' is printed in small white text in the top right corner.
2.  A large, rounded rectangular decal with a red top and bottom section and a white middle section. It features the Southland logo on the left, followed by 'SOUTHLAND' in large white letters. Below that, '22 INCH CUT' and '12 INCH WHEELS' are written in large red letters. At the bottom, 'FIELD TRIMMER' is written in white letters, with the same warranty text as decal 1 below it.
3.  A circular decal with a red border containing the text 'SOUTHLAND' repeated twice. Inside the circle is a yellow and silver engine blade. Below the circle is a red, V-shaped graphic. Underneath that, 'SOUTHLAND' is written in white letters. At the bottom, 'OHV 5.0 139 CC.' is written in white letters, with 'VALVE DESIGN TORQUE' in smaller white letters below it. A small note at the very bottom reads '\*19.3L (5.0L) TORQUE PER SAE J1995'.
4.  This decal is partially overlapped by decal 3. It features the Southland logo on the left, followed by 'SOUTHLAND' in white letters. Below that, 'OHV 5.0 139 CC.' is written in white letters, with 'VALVE DESIGN TORQUE' in smaller white letters below it. A small note at the very bottom reads '\*19.3L (5.0L) TORQUE PER SAE J1995'.
5.  A rectangular decal with a black background and an orange header. The header contains a warning symbol and the word 'WARNING' in white. Below the header, the text 'Avoid serious injury or death.' is written in white. The main body of the decal contains four safety instructions, each with a corresponding icon: 'Read and follow operator's manual' (book icon), 'Do NOT operate when children or others are present. Keep guards, shields and safety devices in place.' (person icon), 'Go across slopes NOT up and down.' (slope icon), and 'Wear safety approved eye protection when operating.' (eye icon).
6.  A rectangular decal with a black background and an orange header. The header contains a warning symbol and the word 'WARNING' in white. Below the header, the text 'Avoid serious injury or death.' is written in white. The main body of the decal contains three maintenance instructions, each with a corresponding icon: 'Gasoline is flammable. Allow engine to cool at least 2 minutes before refueling.' (flame icon), 'Failure to keep engine clean can result in a possible fire hazard.' (flame icon), and 'Clean debris from engine guards and muffler area at each refueling, sooner if needed.' (debris icon). A final instruction reads: 'Have a qualified technician clean engine cooling fins every 30 hours or sooner if needed, especially in high debris conditions.' (fan icon).

REF. NO.	DESCRIPTION	PART NO.	RQD
1	Decal, Southland Rear Logo	<b>A202486</b> (Includes 1 each of all decals shown above)	1
2	Decal, Southland Belt Cover Logo		1
3	Decal, Southland Engine Logo		1
4	Decal, Unit Specifications		1
5	Decal, Unit Usage Warning		1
6	Decal, Unit Maintenance Warning		1